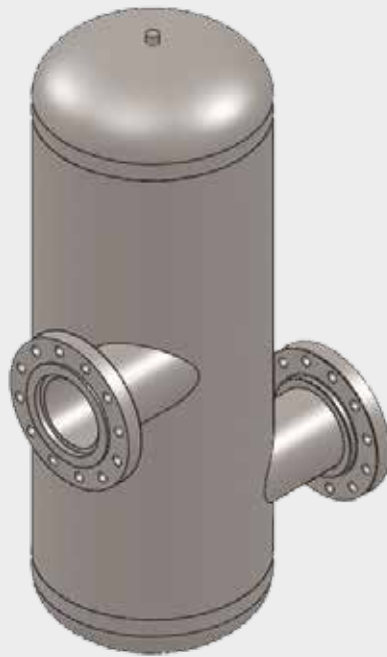



# Suction Stabilizer



  
*Engineering  
GREAT Solutions*

**Carbon steel and stainless  
steel suction stabilizers**

# Suction Stabilizer

Many pump systems in power plants are operating with sub-optimal suction conditions due to cavitation and entrained gas problems. Our Suction Stabilizer offers protection against these and other problems as well as making up for pressure head and ensuring the smooth operation of the pump.

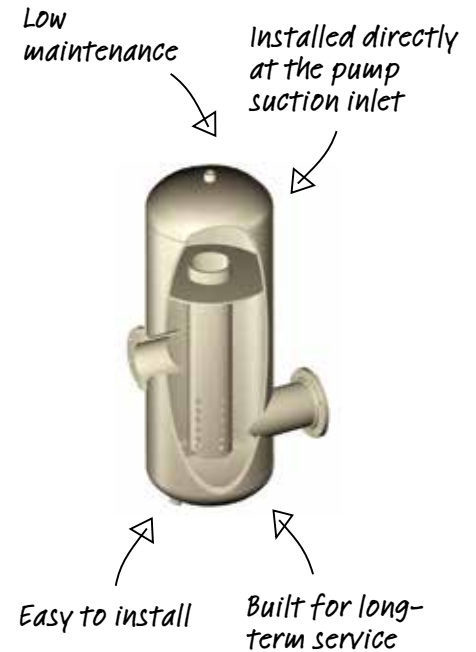
## Key features and benefits

- > Installed directly at the pump suction inlet. Close proximity ensures pump protection
- > Easy to install. Pre-labeled nozzles with a variety of available connections
- > Built for long-term service. No moving or replacement parts
- > Low Maintenance. Only periodic checking and charging of air.

## Technical Description

<b>Body</b>	Offset horizontal Flow
<b>Pressure Rating</b>	ANSI Class 150 - 2500
<b>End Connections</b>	RF flange standard*
<b>Shell Material</b>	Carbon steel / stainless steel*
<b>Baffle material</b>	Carbon steel / stainless steel*
<b>Temperature range</b>	-50 °C / 343 °C
<b>Quality specification</b>	ASME B31.1, B31.3 Section VIII Div. I
<b>Pulse attenuation</b>	Up to 70%

\* Other options available upon request



We listen to exactly what you need and the specific requirements of your site

### IMI Critical Engineering

Lakeside, Solihull Parkway  
Birmingham Business Park  
Birmingham B37 7XZ  
United Kingdom

Tel: +44 (0)121 717 3700

Fax: +44 (0)121 717 3701

www.imi-critical.com

### IMI Fluid Kinetics

1106 Industrial Road  
Winfield  
Kansas 67156  
USA

Tel: +1 620 221 2343

Fax: +1 620 221 0755

imifk.sales@imi-critical.com