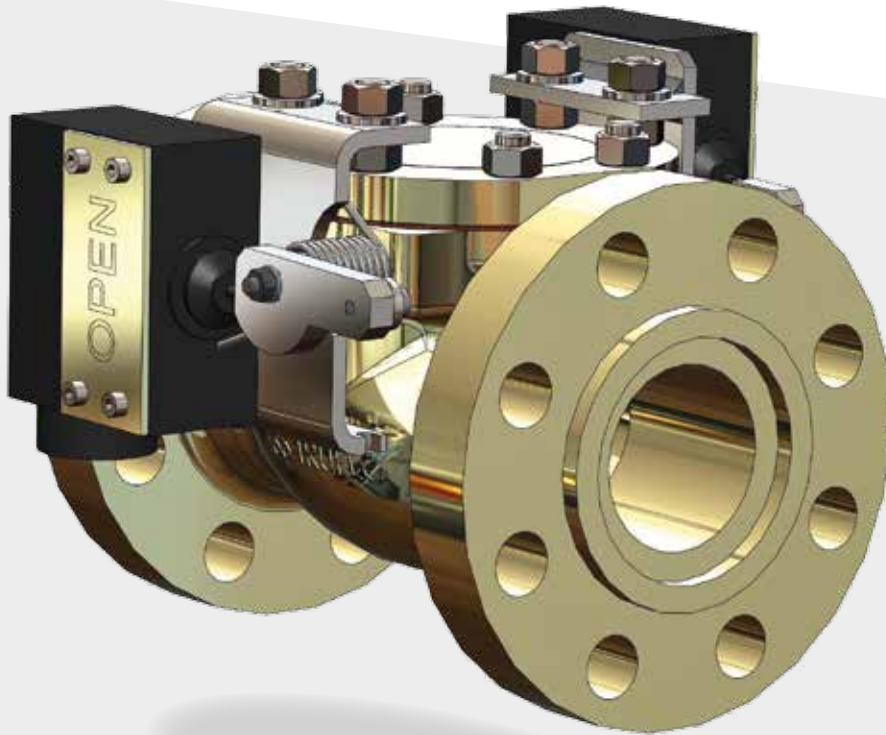


Swing Check Valves



*Engineering
GREAT Solutions*

**Flanged metal or soft seated
swing check valves**

Swing Check Valves

Expert Bespoke solutions

Our range of swing check valves provides reliable non-return sealing. The spring load hinge design prevents failure in an open flow situation whilst enabling in-line access to maintain the valves. Manufactured in a range of materials with options of both hard and soft seats from 50mm to 250mm bore sizes.

As well as offering a standardised range of sizes and options we can also create bespoke designs to suit specific requirements and conditions.



IMI Truffo Marine have a first class reputation with their customers

Key features

- > Metal or soft seated options
 - Renewable nickel alloy seat
 - Integral elastomeric seat
- > Variety of flange configurations
- > Spring loaded hinge
- > External spring adjustment
- > Manual override
- > Serviceable in-line
- > Variety of material options
- > Variety of bore sizes
- > Wide temperature ranges



IMI Truffo Marine have been designing and manufacturing high integrity valves for marine applications for over 50 years.

Benefits

Spring loaded hinge design prevents sticking in open position

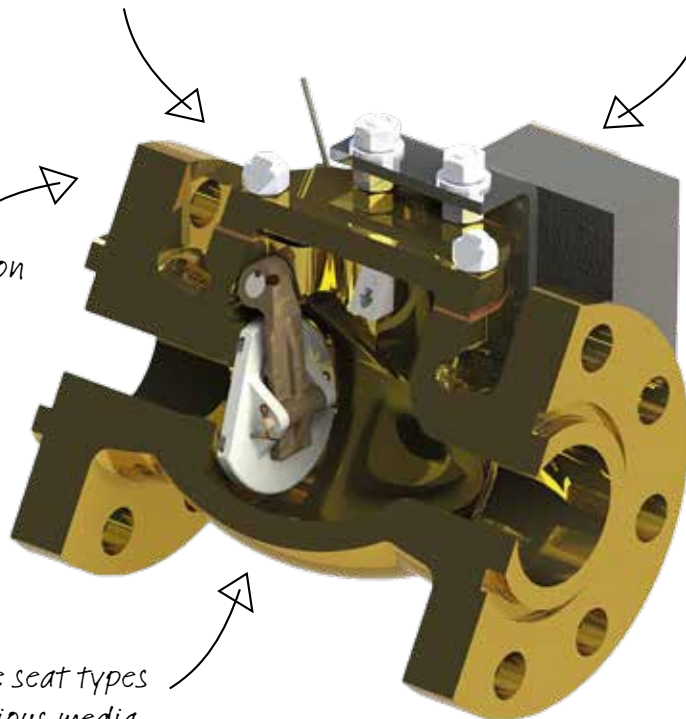
External spring adjustment

Manual override option incase of failure

Shock qualified for extreme service conditions

Alternative seat types to suit various media

Serviceable in-line to save time and money



System applications

- > Seawater
- > Black water
- > Fuel
- > Air
- > Weapons discharge
- > Bespoke applications

Suitable for a variety of systems



Typical product specification and dimensions

More specifications available on request

Material choices

Aluminium bronze (optional titanium trim)
Carbon steel
Stainless steel

Pressure rating

Up to 45 bar

Temperature ranges (soft seat)

-29°C to 104°C (-20°F to 219°F)

Bore sizes

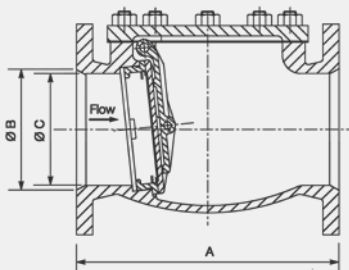
50mm to 250mm

Temperature ranges (metal seat)

-35°C to 200°C (-31°F to 392°F)

Full valve selection available on our website

www.imi-critical.com



Typical Swing Check Valve Dimensions

Bore Size (mm)	A	B	C	Weight Ap. (kg)
50	203	54	50	12.8
65	216	72	65	15.5
80	241	84	80	18.0
100	292	103	100	29.1
150	356	154	150	57.0
200	495	203	203	119.0
250	622	254	254	220.0

IMI Truflo Marine

Westwood Road
Birmingham
B6 7JF
UK

Tel: +44 (0)121 327 4789

imitm.sales@imi-critical.com

IMI Critical Engineering

Lakeside, Solihull Parkway
Birmingham Business Park
Birmingham B37 7XZ
United Kingdom

Tel: +44 (0)121 717 3700
Fax: +44 (0)121 717 3701

www.imi-critical.com

IMI

Critical Engineering