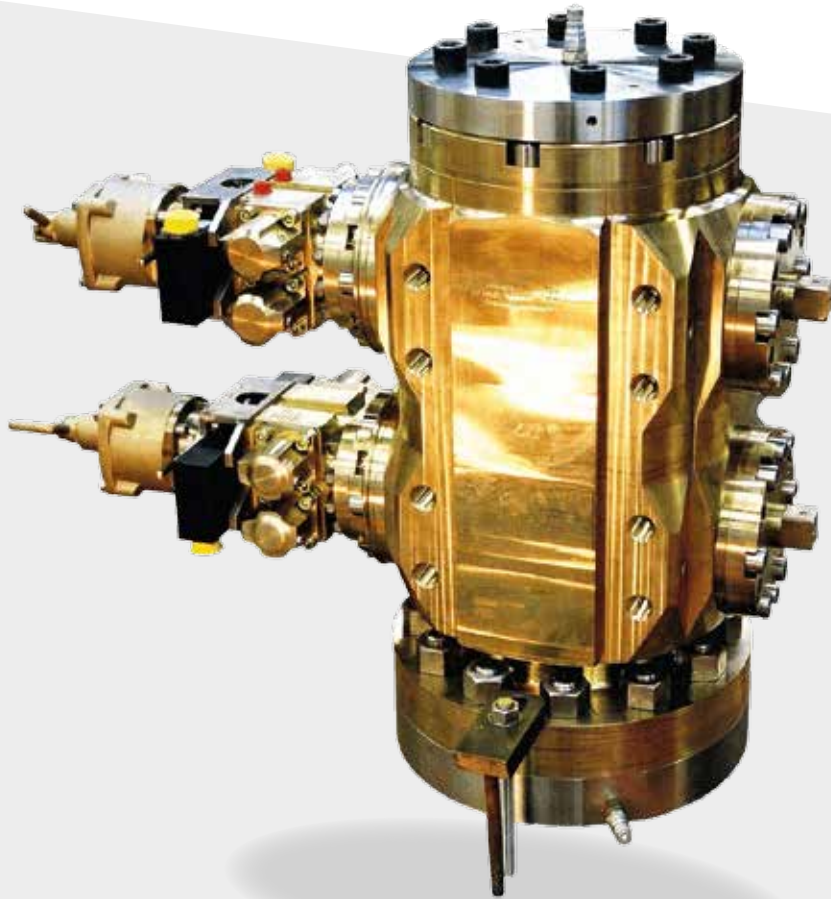


Hull Valves



*Engineering
GREAT Solutions*

Double Ball Hull Isolation Valves

Hull Valves

IMI Trufo Marine specialises in high quality valves, actuators and air distribution products for severe and critical applications, such as hull isolation and on board systems which can affect operational capability and 'on task' performance.

Key features

- > Low risk and fully validated for submarine use
- > Shock proof to 400g
- > Fire tested
- > Body machined from forged billet
- > Full certification
- > Full traceability
- > Options
 - Hydraulic or pneumatic actuation
 - Titanium trim
 - Full / Reduced bore

Benefits



IMI Trufo Marine have a first class reputation with their customers



IMI Trufo Marine have been designing and manufacturing high integrity valves for marine applications for over 50 years.

Low noise signature for peerless in-service performance

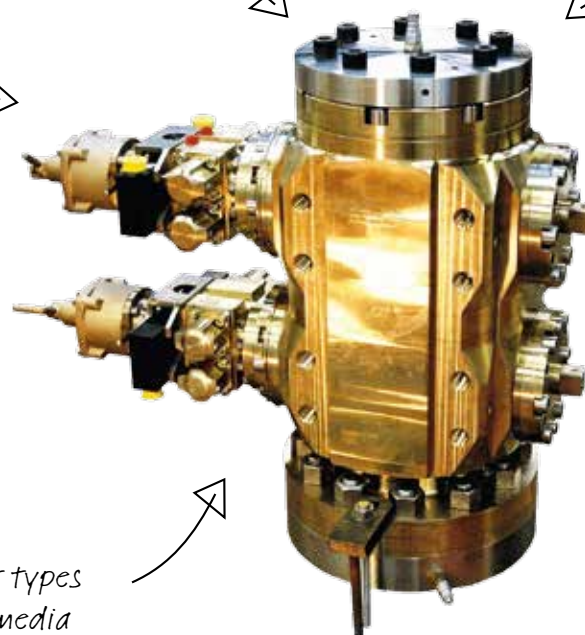
Compact size

Manual override option in case of failure

Shock qualified for extreme service conditions

Alternative seat types to suit various media

Serviceable in-line to save time and money



End-entry double ball hull isolation valve

Mainly used as hull isolation valves on sea water systems. This product is an end entry single body design with two trunnion mounted balls. This product design allows for actuated and manual operation and has a high level of shock resistance.

Applications

Hull valve
Safety critical on/off

Special features

Suitable for high shock duty
Low noise

Size range

Up to 8"

Pressure

Up to 40 bar

Materials

Aluminium bronze
Optional titanium trim



Our team of engineers has extensive experience in designing bespoke hull valves to suit the customer's specific needs.

90 degree top-entry double ball hull isolation valve

This is similar to the end-entry double ball hull isolation valve but has a top-entry, easy maintenance design. Both the top-entry and end-entry designs are also available in straight through or 90 degree angled flow with a number of flange type options. The angled flow design is more compact and is especially suitable for applications where space is a premium.

Applications

Hull valve
Safety critical on/off

Special features

Suitable for small envelope

Size range

Up to 8"

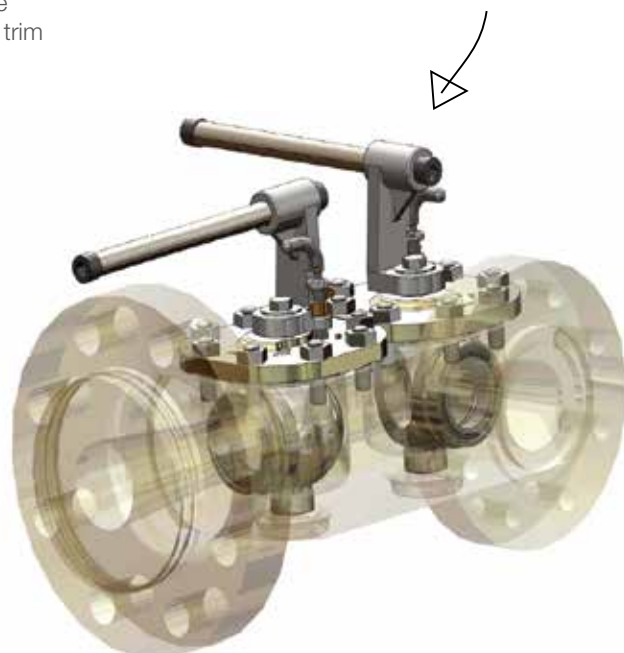
Pressure

Up to 40 bar

Materials

Aluminium bronze
Optional titanium trim

Solutions to suit your requirements



*Full valve selection
available on our website*

www.imi-critical.com

IMI Truflo Marine

Westwood Road
Birmingham
B6 7JF
UK

Tel: +44 (0)121 327 4789
E-mail: imitm.sales@imi-critical.com
www.imi-critical.com

IMI Critical Engineering

Lakeside, Solihull Parkway
Birmingham Business Park
Birmingham B37 7XZ
United Kingdom

Tel: +44 (0)121 717 3700
Fax: +44 (0)121 717 3701
www.imi-critical.com



Critical Engineering