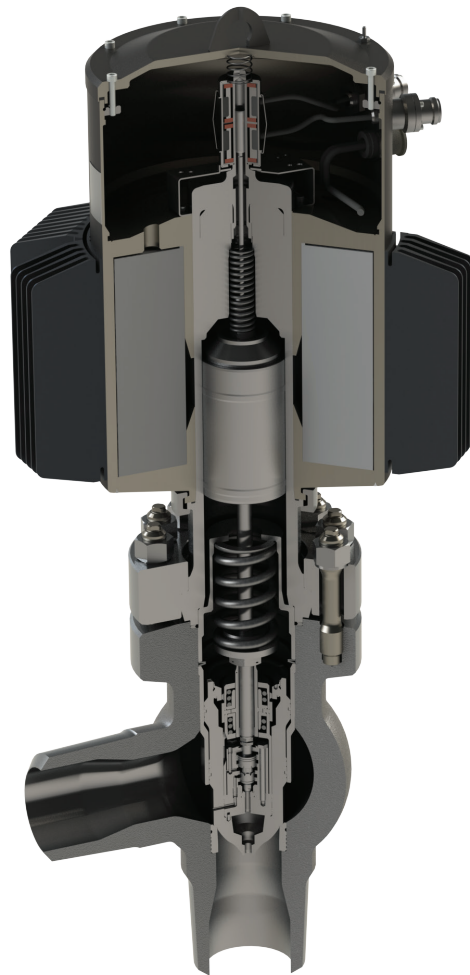


Solenoid Operated Control Globe Valve

Pressurizer spray
control





Solenoid Operated Control Globe Valve

Pressurizer spray control

Control/Isolation valve, actuated by solenoid as on-off or modulating version.

Used for:

- Pressurizer spray control
- Rx head vent
- Post accident sampling valves
- SG blow down isolation
- Chemical volume control isolation
- Aux-turbine preheat isolation
- EPR Aeroball measuring system

Key features

- Size: 3/8" - 4" / 10 - 100
- Class up to 1500
- Forged stainless steel
- Qualified according IEEE 382, 344, 323

Benefits

- Available as on-off or modulating valves.
- Designed for high pressure and temperature, for water or steam
- Static seal to external (no packing, no bellows stem seal)
- Tolerates vibration & thermal changes
- Uses IMI CCI's qualified inductive positioning system