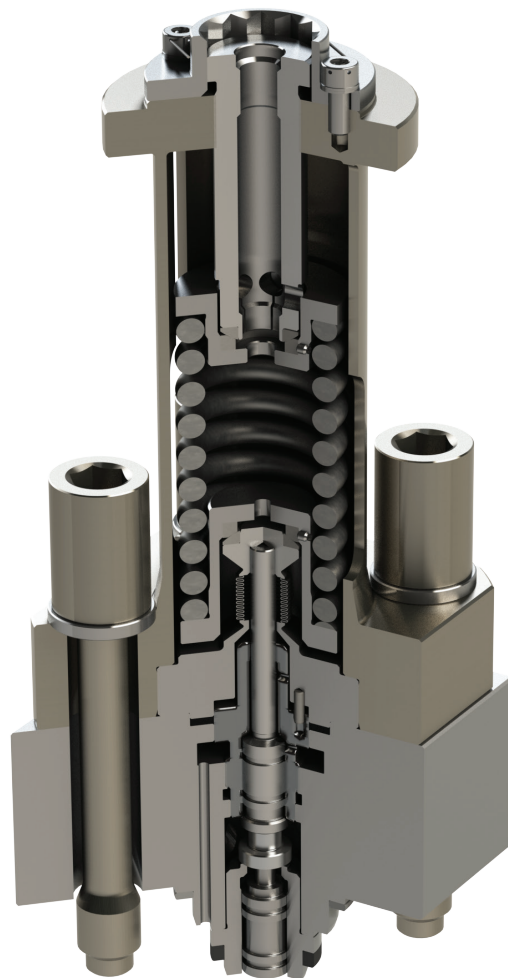
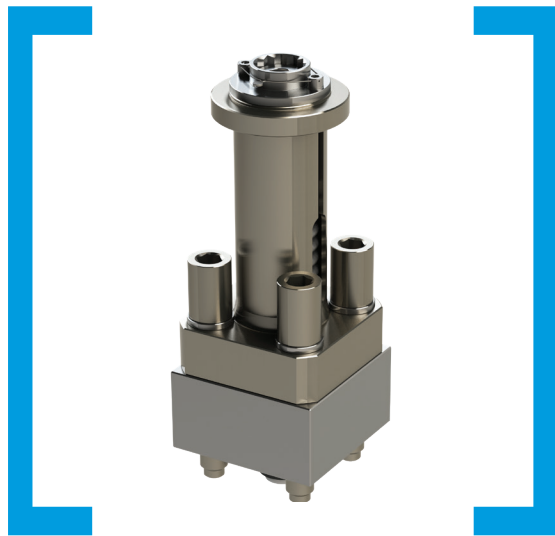


# STV Type Spring-loaded Valve

## Main steam isolation





# STV Type Spring-loaded Valve

## Main steam isolation

The spring-loaded pilot valve type STV is a 3/2 way valve (3 connection/2 position).

Primarily used as pilot valve to the variety of main valves. Operates with the following medium: air, steam, water, acids

Used as main steam isolation valve in BWR and PWR reactors or as a main feed-water isolation valve.

### Key features

- Size: 0.2" / 5mm
- Class up to 2500
- Forged carbon or stainless steel
- The STV valve is fully qualified to IEEE 323 and IEEE 344
- Operates with: air, steam, water and acids
- Both applications with or without bellows seal are available.

### References

- IMI CCI has more than 100 of these STV pilot valves in service worldwide

### Benefits

- Its unique design features contribute to high opening stability (no chattering or simmering). No set point drift, set point accuracy  $\pm 1\%$ .
- Hysteresis is adjustable to fit customer's requirements.
- Using special SEV device, very precise adjustment of the set-up pressure is possible in-situ (no need of disassembly from the main valve).
- Anti-simmering device in a way off additional solenoid valve can be installed.
- STV valve can be equipped with the IEEE qualified limit-switches