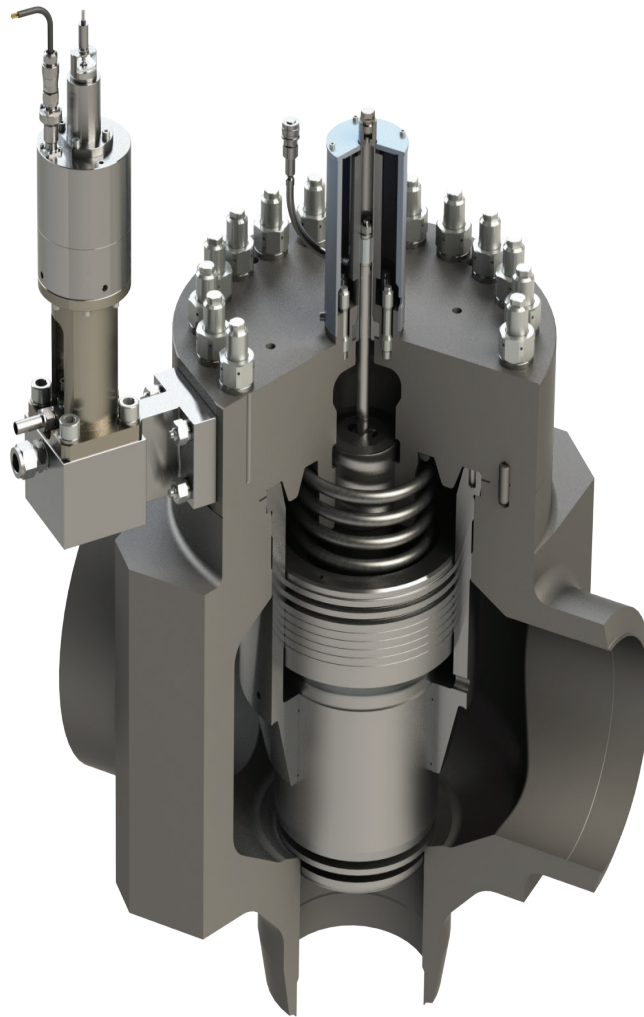
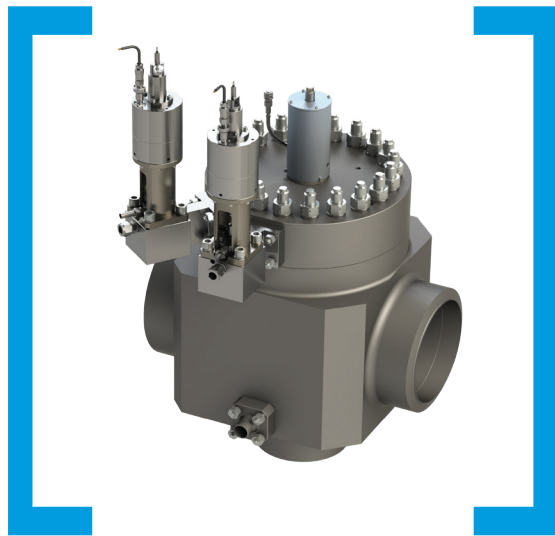


SE Type Globe Valve

Emergency cooling





SE Type Globe Valve

Emergency cooling

Quick release isolation valve, actuated by the medium in the system, using de-pressurizing principle. Block- design with direct mounted pilot valves.

Variety of different pilot valves dependent on the application: solenoid valve, spring loaded pilot valve.

In combination with additional control valve is used primarily as atmospheric steam dump valve.

Can be used in other special applications such as the emergency cooling of a reactor vessel.

Key features

- Size up to 11" (280 mm)
- Class up to 1500
- Forged/cast carbon or stainless steel
- Variety through different qualification programs for steam and two-phase flows

Benefits

- Very fast opening without need for external energy sources
- High actuating forces supplied by the system medium operated actuator
- Enclosed system, i.e. no stuffing box
- Compact design also ensures reliable performance of the valve under seismic conditions.
- Opening time < 1.8 seconds