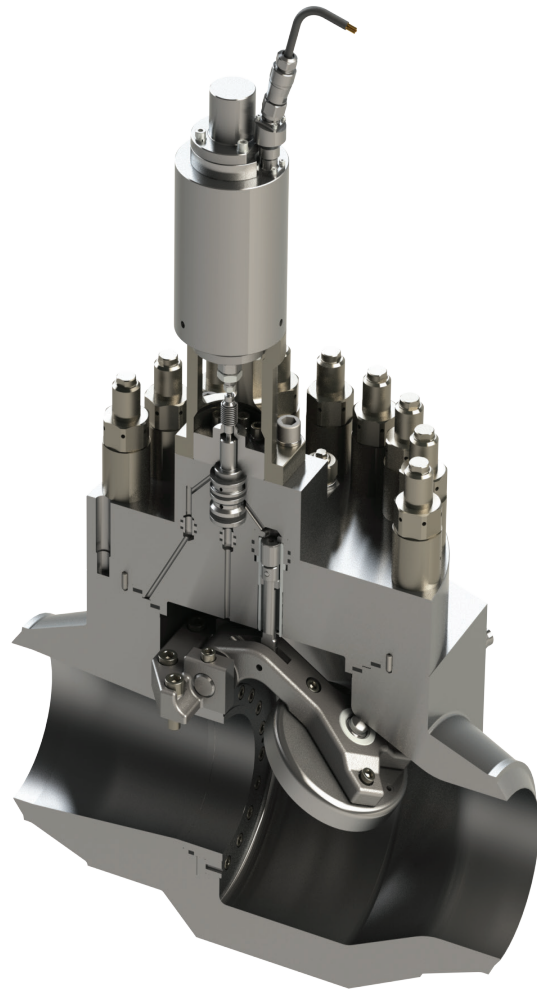
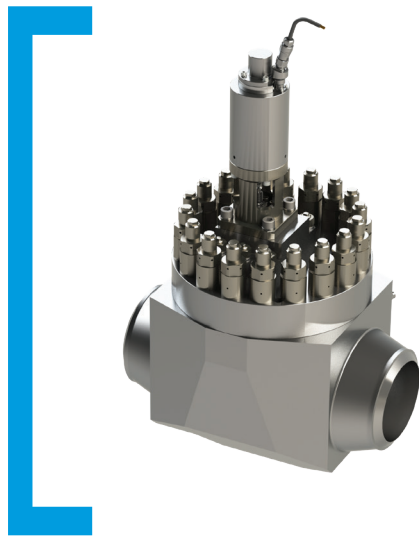


RSK Type Swing-check Gate Valve

Main feed-water and bypass
feed-water isolation





RSK Type Swing-check Gate Valve

Main feed-water and bypass feed-water isolation

Isolation valve, actuated by the medium in the system.

Used as a main feed-water and by-pass feed-water isolation valve.

Key features

- Size up to 29.9" (760mm)
- Class up to 1500
- Forged/cast carbon or stainless steel
- Variety of different qualification programs for water

Benefits

- Stable performance
- Very low pressure losses, hence contributes to high efficiency of the power plant.
- Possibility of special design (like the one on the picture), using the solenoid operated pilot valve to open the main valve at low flows
- Spherically guided closing plate
- No sensitive to the built-up of magnetite