


HAC & EDS




*Engineering
GREAT Solutions*

**Spraywater Isolation and
Control Valves**

HAC & EDS - Spraywater Isolation and Control valves

The HAC valve and the EDS valve are the typical IMI CCI spraywater isolation and control valves respectively. The valves have been designed according to common requirements for valves withstanding 460bar / 350°C. The valves are designed mainly for supercritical plants, where the spraywater for the bypass is taken from the outlet of the feed pumps.

The HAC valve is used in spraywater isolation applications where the shut-off pressure is very high such as high pressure bypass systems and other applications requiring tight isolation valves under rugged operations.

The EDS valve is used in spraywater control applications. They are mainly used intermittently to cool steam in a bypass system.



Suitable for high-pressure shut-off

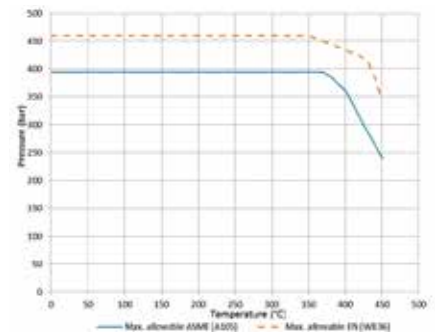
Key features

The valves are available according to either EN or ASME codes. The EDS valves incorporate the DRAG® technology. The limited trim exit velocities of the DRAG® trim eliminates damage caused by erosion. The DRAG® technology also ensures an accurate control and reliable operation at all flow conditions. Both valves can be installed in any operating orientation, without restrictions.

- > Multi stage pressure drop trim
- > Up to 460 bar
- > Up to 350°C
- > Angle, globe & Z-type flow pattern

Benefits

- > Suitable for high pressure & temperature conditions
- > Tight shut-off (EN 12266-1 Cl. B or MSS-SP61 or ANSI/FCI 70.2 Cl. V)
- > Quick change trim for easy maintenance
- > High control of velocity



P-T rating ASME & EN designs

Product specification

Flow pattern

Angle
Globe
Z-type Flow-to-close

Shut-off class

ANSI/FCI 70.2 Class V
MSS-SP61
EN12266-1 rate B

Paint specification

Grey (RAL 7005)

Quality specification

ES-CH-263 (Quality levels)

ASME

Pressure rating ASME B16.34 #2500
Special Class
Design temp. 350°C
Max. pressure 395 bar

EN

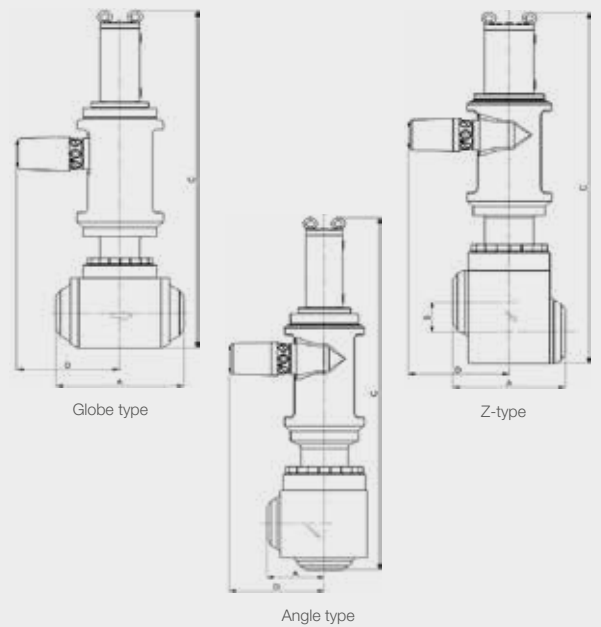
Pressure rating -
Design temp. 350°C
Max. pressure 460 bar

Product specification (cont.)

	HAC		EDS	
	38	56	38	50
Trim size	38	56	38	50
Nominal stroke (mm)	40	60	64	89
Butt weld ends Min. inner diameter (mm)	75	100	75	100
Butt weld ends Max. outer diameter (mm)	260	324	260	324
Min. Kv (globe type)	46	100	6.8	10.6
Max. Kv (globe type)			20	50.3

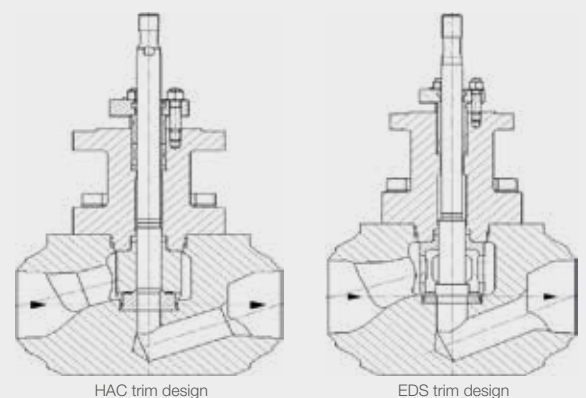
Product dimensions

Valve type	Size	Flow pattern	A (mm)	B (mm)	C (mm)	D (mm)	Weight (kg)
HAC	38	Globe	400	-	1260	325	~300
		Angle	200	-	1305	325	~300
		Z-type	400	160	1420	325	~325
	56	Globe	460	-	1330	325	~400
		Angle	230	-	1390	325	~400
		Z-type	460	200	1530	325	~440
EDS	38	Globe	400	-	1260	325	~300
		Angle	200	-	1305	325	~300
		Z-type	400	160	1420	325	~325
	50	Globe	460	-	1330	325	~400
		Angle	230	-	1390	325	~400
		Z-type	460	200	1530	325	~440



Typical materials

Typical materials	EN	ASME
Body	WB36	A105
Bonnet	WB36	A105
Bonnet bolt	21CrMoV5-7	ASTM A193 B7
Stem	X19CrMoNbVN11-1	17-4PH
Seat	X20CrMoV11-1	400 series SS
Cage / disk stack	x20CrMoV11-1 / 410SS	410SS



IMI CCI Australia
33 South Corporate Avenue
Rowville
Melbourne 3178
Australia
Tel: +61 3 9213 0800

IMI CCI China
101, #7 Building
Guosheng S&T Park
No. 1 Kangding St.
Beijing 100176
China
Tel: +86 10 8715 4200
Fax: +86 10 6781 7950

IMI CCI Korea
14 Dangdong 2-ro
Munsan-eup
Paju-si
Gyeonggi-do
Korea 413-902
Tel: +82 2 792 1877
Fax: +82 2 792 1878

IMI CCI SriCity
No 900 North R-1 Sri City SEZ
Sathyavedu Mandal
Chittoor District
Andhra Pradesh 517588
India
Tel: +91 85 7639 8000
Fax: +91 85 7639 8035

IMI CCI Austria
Lemböckgasse 63/1
1230 Wien
Austria
Tel: +43 1 869 27 40
Fax: +43 1 865 36 03

IMI CCI Dubai
P.O. Box 17827
Light Industrial Unit
BJ04 South Zone 1
Jebel Ali – Dubai
United Arab Emirates
Tel: +971 4 886 1477
Fax: +971 4 886 1476

IMI CCI RSM
22591 Avenida Empresa
Rancho Santa Margarita
California, 92688
USA
Tel: +1 949 858 1877
Fax: +1 949 858 1878

IMI CCI Sweden
Industrigatan 3
661 29 Säffle
Sweden
Tel: +46 533 689 600
Fax: +46 533 689 601

IMI CCI Bangalore
6th floor Warp tower SJR i park
Plot #13 14 & 15 EPIP Zone
Phase 1
Whitefield Road
Bangalore 560066
India
Tel: +91 80 4030 3500
Fax: +91 80 4030 3531

IMI CCI Houston
4525 Kennedy Commerce Drive
Houston
Texas 77032
USA
Tel: +1 832 467 7200
Fax: +1 713 849 2948

IMI CCI Singapore
29 International Business Park
ACER Building Tower A
#04-01
Singapore 609923
Tel: +65 6653 7000
Fax: +65 6822 7001

IMI CCI Switzerland
Itaslenstrasse 9
CH-8362 Balterswil
Switzerland
Tel: +41 52 264 9500
Fax: +41 52 264 9501

IMI CCI Brazil
Rua Itapeva 286
cj 95 to 98
Sao Paulo
CEP 01332-000
Brasil
Tel: +55 11 2691 3361
Fax: +55 11 2539 0287

IMI CCI Italy
Via Giacomo Leopardi 26
20123
Milano
Italy
Tel: +39 02 4345 8611
Fax: +39 02 4345 8624

IMI CCI South Africa
38 Industrial Crescent
Extension 25
Witbank 1035
South Africa
Tel: +27 13 697 3305
Fax: +27 13 697 3303

IMI CCI UK
Unit A3
Brookside Business Park
Middleton
Manchester
M24 1GS
Tel: +44 (0)161 655 1680
Fax: +44 (0)161 655 1689

IMI CCI Brno
K letišti 1804/3
Šlapanice 627 00
Brno 27
Czech Republic
Tel: +420 511 188 288
Fax: +420 511 188 245

IMI CCI Japan
6-2-2 Takatsukudai
Nishi-ku, Kobe
Hyogo 651-2271
Japan
Tel: +81 78 322 1220
Fax: +81 78 322 1221

imicci.sales@imi-critical.com

IMI Critical Engineering
Lakeside, Solihull Parkway
Birmingham Business Park
Birmingham B37 7XZ
United Kingdom
Tel: +44 (0)121 717 3700
Fax: +44 (0)121 717 3701
www.imi-critical.com