


ASM-E




Engineering
GREAT Solutions

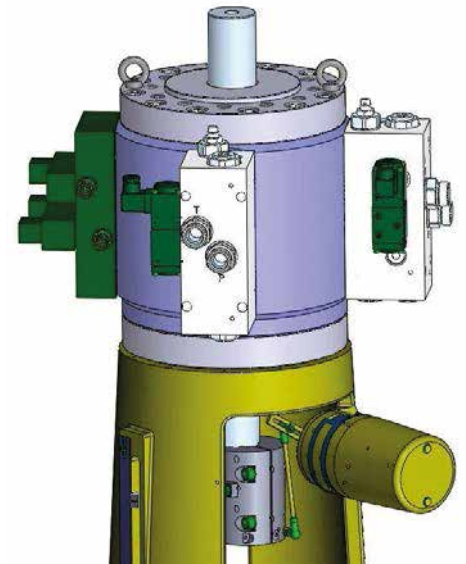
Hydraulic Actuator

ASM-E Hydraulic Actuator

The new IMI CCI actuator design, ASM-E, is the enhanced version of the well-known ASM actuator and can provide a complete upgrade.

Hydraulic actuators are used for operating steam and water valves with large actuating forces and/or fast and accurate control.

With the IMI CCI hydraulic actuation system combinations of control functions with additional safe open or close functions are easy to implement. With additional accumulators hydraulic energy can be stored for safe open or close functions.



Various stroke lengths available

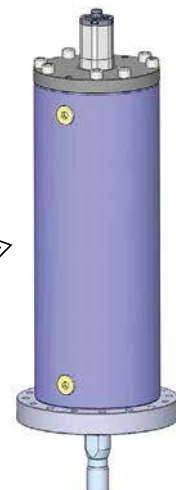
Key features

- > Double-acting hydraulic cylinders
- > Single or double-rod
- > Optional spring
- > Various stroke lengths available
- > Optional connections for control devices
- > Open rack device mount option available
- > Compatible with Linear Variable Differential Transformer position transmitter
- > Optional oil drip pan
- > Optional manual driven pump

Benefits

- > High actuation forces: up to 1,287 kN
- > Stroke up to 330mm
- > Safety function according to EN 4126-5 (TRD 421) is possible
- > Local or remote (open rack) control devices
- > Mineral oil or fire resistant hydraulic fluids can be used

ASME-E with LVDT (open rack version)



Product specification

Applicable standards

EN 10100

Paint colour

Grey (RAL 7031)

Maximum operating pressure

160 bar

Test pressure

240 bar

Temperature range

-10°C to 85°C

Hydraulic fluids

Mineral oil

Fire-resistant fluid (e.g. Quintolubric® and Fyrquel®)

Cylinder / stem material

Carbon steel / Alloy

Gasket material

PTFE + FKM

Options

Control devices remotely mounted (open rack)

Maintenance oil drip pan

Temporary manual driven pump

ASME-E without LVDT
(open rack version)



Typical dimensions

ASM-E	65	80	100	125	160	200	250	320
Stroke (mm) / Stem extension in retracted position (mm)	65/125	65/125	-	-	-	-	-	-
	110/90	-	110/100	-	-	-	-	-
	-	140/100	140/100	-	140/108	140/170	140/170	-
	200/125	-	200/100	200/105	-	-	-	-
	-	-	-	-	225/108	225/170	225/170	225/168
	-	330/100	330/100	330/105	330/108	330/170	330/170	-
Max. force (ex- tending single rod actuator at 160 bar) (kN)	53	80	126	196	322	503	786	1287

IMI CCI Australia
33 South Corporate Avenue
Rowville
Melbourne 3178
Australia
Tel: +61 3 9213 0800

IMI CCI China
101, #7 Building
Guosheng S&T Park
No. 1 Kangding St.
Beijing 100176
China
Tel: +86 10 8715 4200
Fax: +86 10 6781 7950

IMI CCI Korea
14 Dangdong 2-ro
Munsan-eup
Paju-si
Gyeonggi-do
Korea 413-902
Tel: +82 2 792 1877
Fax: +82 2 792 1878

IMI CCI SriCity
No 900 North R-1 Sri City SEZ
Sathyavedu Mandal
Chittoor District
Andhra Pradesh 517588
India
Tel: +91 85 7639 8000
Fax: +91 85 7639 8035

IMI CCI Austria
Lemböckgasse 63/1
1230 Wien
Austria
Tel: +43 1 869 27 40
Fax: +43 1 865 36 03

IMI CCI Dubai
P.O. Box 17827
Light Industrial Unit
BJ04 South Zone 1
Jebel Ali – Dubai
United Arab Emirates
Tel: +971 4 886 1477
Fax: +971 4 886 1476

IMI CCI RSM
22591 Avenida Empresa
Rancho Santa Margarita
California, 92688
USA
Tel: +1 949 858 1877
Fax: +1 949 858 1878

IMI CCI Sweden
Industrigatan 3
661 29 Säffle
Sweden
Tel: +46 533 689 600
Fax: +46 533 689 601

IMI CCI Bangalore
6th floor Warp tower SJR i park
Plot #13 14 & 15 EPIP Zone
Phase 1
Whitefield Road
Bangalore 560066
India
Tel: +91 80 4030 3500
Fax: +91 80 4030 3531

IMI CCI Houston
4525 Kennedy Commerce Drive
Houston
Texas 77032
USA
Tel: +1 832 467 7200
Fax: +1 713 849 2948

IMI CCI Singapore
29 International Business Park
ACER Building Tower A
#04-01
Singapore 609923
Tel: +65 6653 7000
Fax: +65 6822 7001

IMI CCI Switzerland
Itaslenstrasse 9
CH-8362 Balterswil
Switzerland
Tel: +41 52 264 9500
Fax: +41 52 264 9501

IMI CCI Brazil
Rua Itapeva 286
cj 95 to 98
Sao Paulo
CEP 01332-000
Brasil
Tel: +55 11 2691 3361
Fax: +55 11 2539 0287

IMI CCI Italy
Via Giacomo Leopardi 26
20123
Milano
Italy
Tel: +39 02 4345 8611
Fax: +39 02 4345 8624

IMI CCI South Africa
38 Industrial Crescent
Extension 25
Witbank 1035
South Africa
Tel: +27 13 697 3305
Fax: +27 13 697 3303

IMI CCI UK
Unit A3
Brookside Business Park
Middleton
Manchester
M24 1GS
Tel: +44 (0)161 655 1680
Fax: +44 (0)161 655 1689

IMI CCI Brno
K letišti 1804/3
Šlapanice 627 00
Brno 27
Czech Republic
Tel: +420 511 188 288
Fax: +420 511 188 245

IMI CCI Japan
6-2-2 Takatsukudai
Nishi-ku, Kobe
Hyogo 651-2271
Japan
Tel: +81 78 322 1220
Fax: +81 78 322 1221

imicci.sales@imi-critical.com

IMI Critical Engineering
Lakeside, Solihull Parkway
Birmingham Business Park
Birmingham B37 7XZ
United Kingdom
Tel: +44 (0)121 717 3700
Fax: +44 (0)121 717 3701
www.imi-critical.com