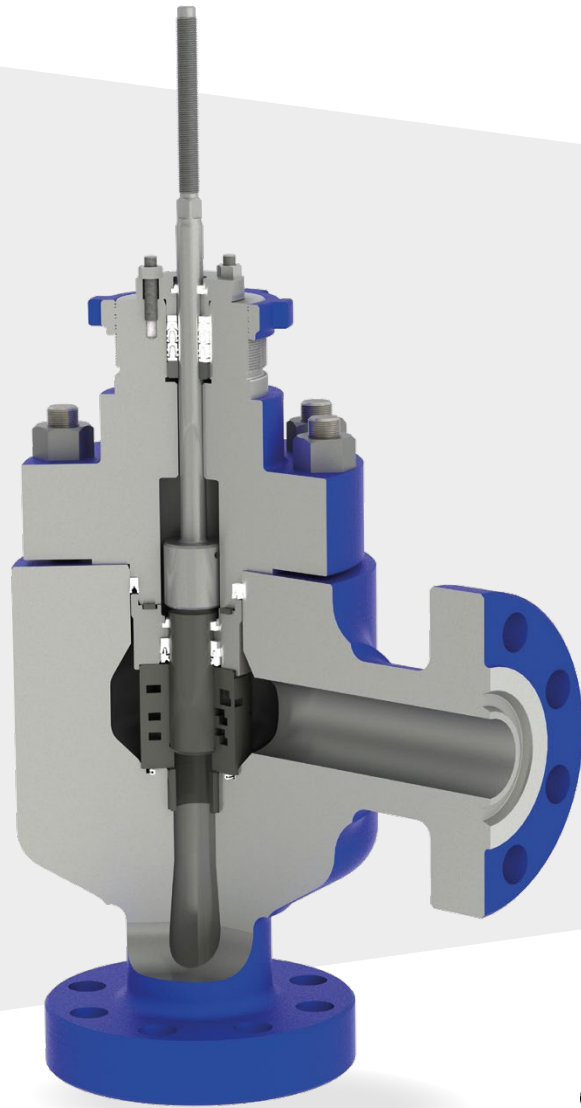


# 100DPC-S



*Engineering  
GREAT Solutions*

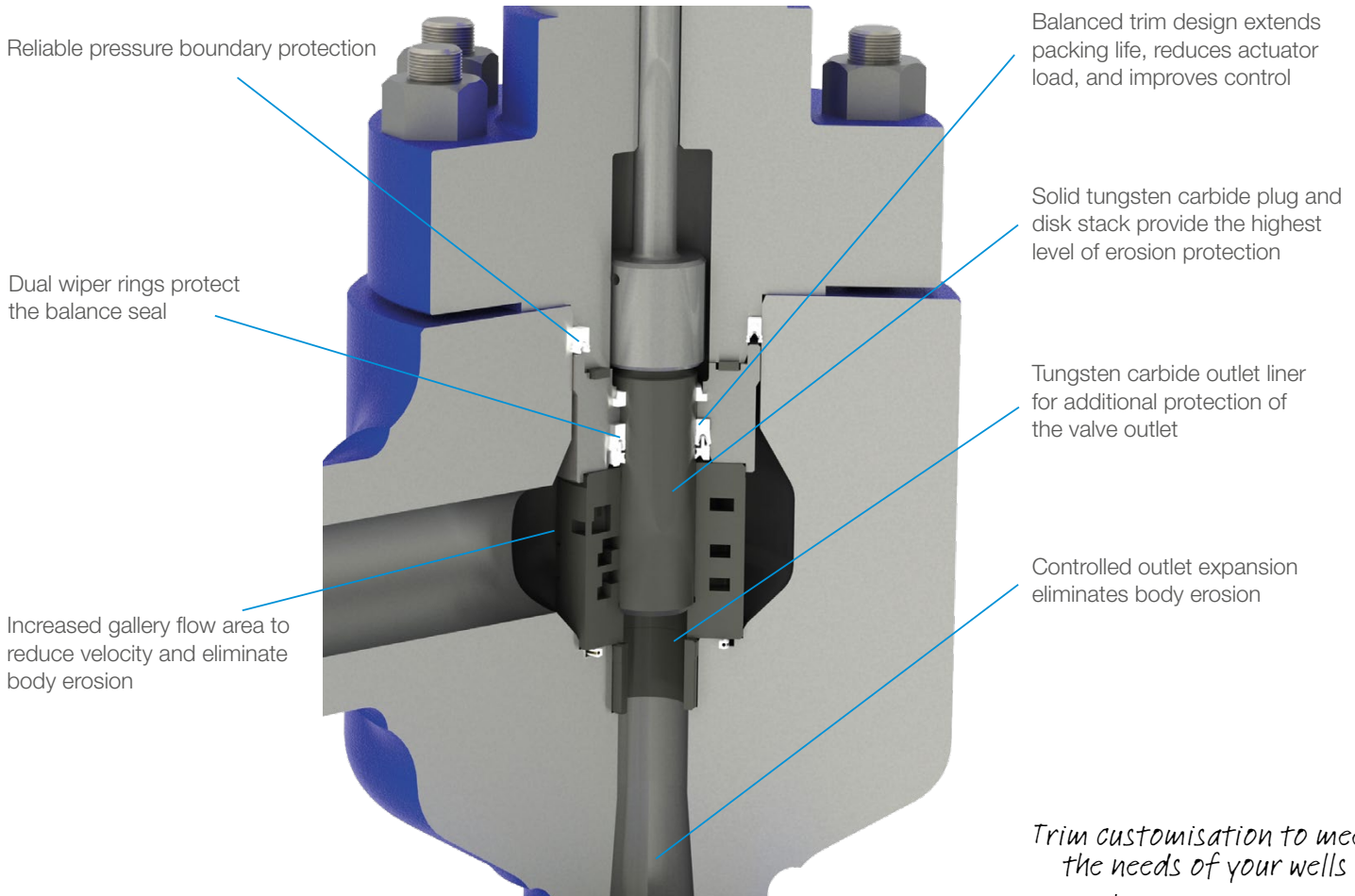
**DRAG<sup>®</sup> choke optimised to provide extended life in challenging wellhead applications**

# 100DPC-S

Wellhead chokes face many challenges that can reduce life, increase maintenance costs, and create upsets in field operations. The 100DPC-S reduces the erosion rates seen early in the high pressure well life or after start-ups, and increases the time between maintenance intervals, giving long term reliable service. Through DRAG® technology and solid tungsten carbide trim, fluid and sand velocities are reduced, resulting in lower erosion rates and increased parts life. Available with either all DRAG® trim, or DRAG® & Cage trim, the 100DPC-S can be configured to meet the unique challenges of your production field.



## Key features



### DRAG®

All DRAG® trim for wells that have long periods of high pressure operation. When pressures eventually decay the DRAG® & Cage trim can be installed for high capacity.



### Hybrid

Hybrid DRAG® and cage technology provides stages for high pressure drops and a cage for lower pressure free flowing conditions



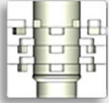
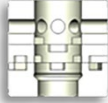
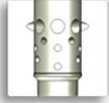

### Cage

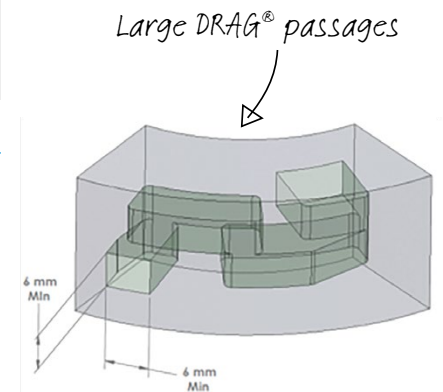
Cages provide high capacity when well pressures have decayed and single stage cage performance is sufficient.

## Materials

Body / Bonnet	Stem	Plug / Disk stack	Seals
A350-LF2 AISI 4130 A182-F6NM	17-4 PH H150M Inconel 718	Solid Tungsten Carbide	Pressure-energised PTFE (No elastomers)

## Trim types and capacities

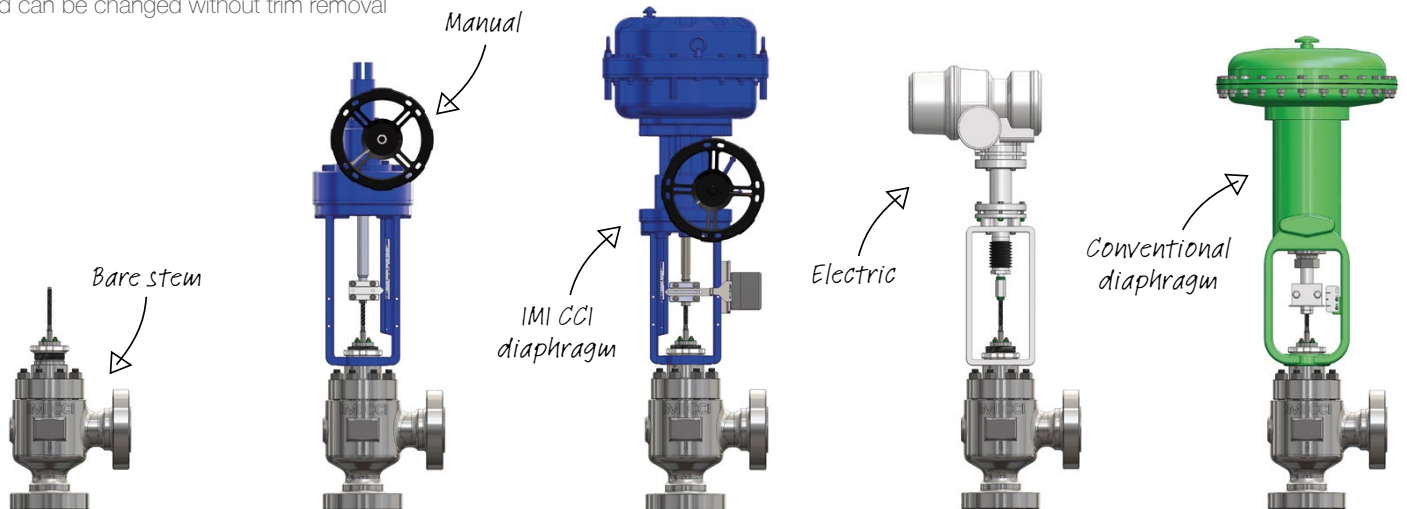
				
Trim type	All DRAG®	Hybrid	Cage	Cv boost
Stages	6-4	4-2-Cage	Cage	Cage
Cv / Bean	9 / 39	27 / 81	27 / 81	50 / 112



Each right angle turn is a single stage of pressure drop. Large expanding DRAG® flow passages enable sand and paraffin to pass through the trim

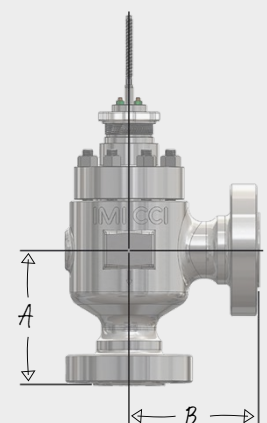
## Actuation options

All actuators have the same mounting details and can be changed without trim removal



## Sizes, pressure classes and dimensions (A and B)†

	API 1 13/16"	ASME 2" API 2 1/16"	API 2 9/16"	ASME 3" API 6A 3 1/16" (5k - 3 1/8")	ASME 4" API 6A 4 1/16"
ASME 300# RF	-	7.75"	-	7.62"	9.88"
ASME 600# RTJ (RF)	-	8.38" (8.38")	-	8.63" (8.63")	10.81" (10.75")
ASME 900# RTJ (RF)	-	8.81" (8.75")	-	10.13" (10.13")	11.31" (11.25")
ASME 1500# RTJ (RF)	-	8.81" (8.75")	-	10.63" (10.63")	10.88" (10.88")
ASME 2500# RTJ	-	9.81"	-	11.50"	-
API 6A 5k, 6B	-	8.81"	10.25"	10.75"	10.88"
API 6A 10k, 6BX	8.81"	8.81"	9.38"	10.75"	-



†The design specification break may occur at the choke by changing the outlet connection size. For example, a 2 1/16" API 10k inlet x 3" ASME 600# outlet is possible. Contact factory for options.

---

## Americas

imiccisales.americas@imi-critical.com

### IMI CCI Brazil

Sao Paulo  
Brasil

Tel: +55 11 2691 3361

### IMI CCI Houston

Texas  
USA

Tel: +1 832 467 7200

### IMI CCI RSM

California  
USA

Tel: +1 949 858 1877

---

## Asia-Pacific

imiccisales.apac@imi-critical.com

### IMI CCI Australia

Melbourne  
Australia

Tel: +61 3 9213 0800

### IMI CCI Japan

Kobe  
Japan

Tel: +81 78 322 1220

### IMI CCI Korea

Paju-si  
Korea

Tel: +82 31 980 9800

### IMI CCI Malaysia

Kuala Lumpur  
Malaysia

Tel: +60 3 6412 3500

### IMI CCI Singapore

Singapore

Tel: +65 6653 7000

### IMI Critical Engineering

Lakeside, Solihull Parkway  
Birmingham Business Park  
Birmingham B37 7XZ  
United Kingdom

Tel: +44 (0)121 717 3700

Fax: +44 (0)121 717 3701

www.imi-critical.com

---

## China

imiccisales.china@imi-critical.com

### IMI CCI China

Shanghai  
PR China

Tel: +86 21 3973 8000

---

## Europe

imiccisales.europe@imi-critical.com

### IMI CCI Austria

Wien  
Austria

Tel: +43 1 869 27 40

### IMI CCI Brno

Brno  
Czech Republic

Tel: +420 511 188 288

### IMI CCI Italy

Milano  
Italy

Tel: +39 02 4345 8611

### IMI CCI Sweden

Säffle  
Sweden

Tel: +46 533 689 600

### IMI CCI Switzerland

Balterswil  
Switzerland

Tel: +41 52 264 9500

### IMI CCI United Kingdom

Manchester  
UK

Tel: +44 (0)161 655 1680

---

## India

imiccisales.india@imi-critical.com

### IMI CCI Bangalore

Bangalore  
India

Tel: +91 80 4030 3500

### IMI CCI SriCity

Andhra Pradesh  
India

Tel: +91 85 7639 8000

---

## Middle East and Africa

imiccisales.mea@imi-critical.com

### IMI Critical MEA

Dubai  
United Arab Emirates

Tel: +971 4 807 3111

### IMI CCI South Africa

Witbank  
South Africa

Tel: +27 13 697 3305

---

## Other

imicci.sales@imi-critical.com