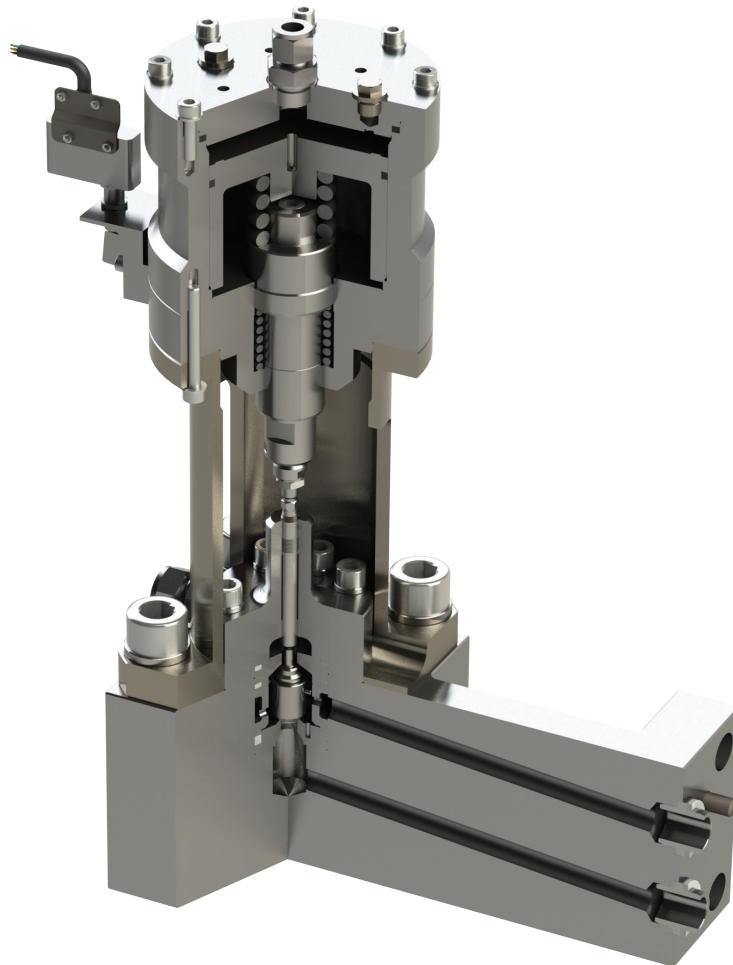
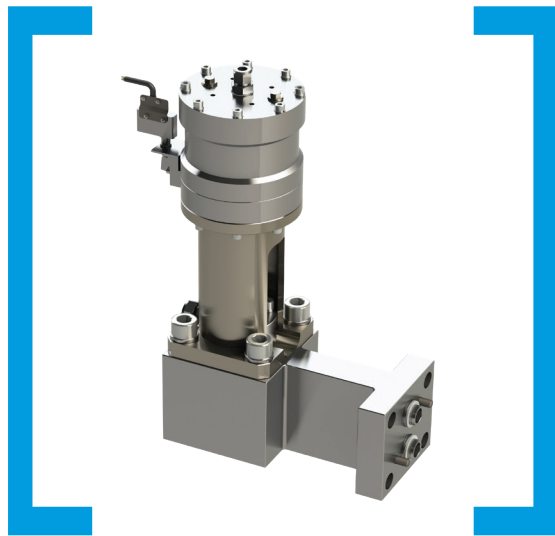


# PV Type Pneumatic Operated Pilot Valve





# PV Type Pneumatic operated Pilot Valve

The pneumatic operated pilot valves type PV are the same as the motor operated valves with exception of the actuation which in this case is done with the air.

These are also is a 3/2 way valve (3 connection/2 position).

## Key features

- Size: 0.2" / 5mm
- Class up to 2500
- Forged carbon or stainless steel
- Operates with: air, steam, water and acids
- They can be equipped with the IEEE qualified limit-switches

## Benefits

- No soft seals or o-rings (only graphite is used for sealing purpose towards environment and a normal metallic piston ring between the pressure chambers – so these valve can be used within containment without any problem. They are also fire-safe
- Additional feature is that the seat is closed with pre-defined force from the spring and is independent from the air-supply