

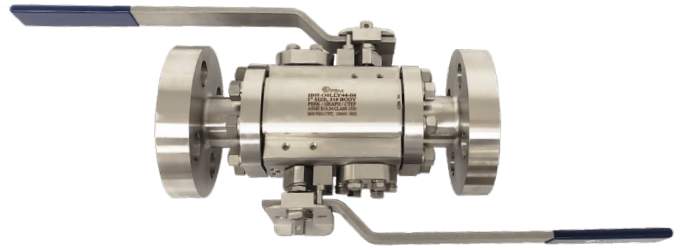
IMI PBM DOUBLE BLOCK & BLEED VALVES

IB Series, Sizes 1/2" - 6"



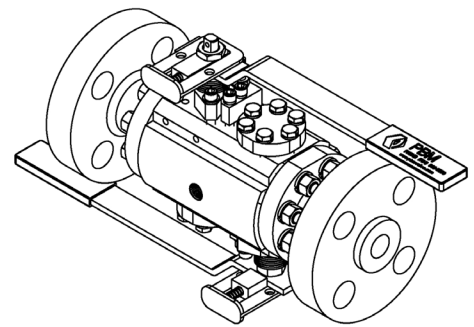
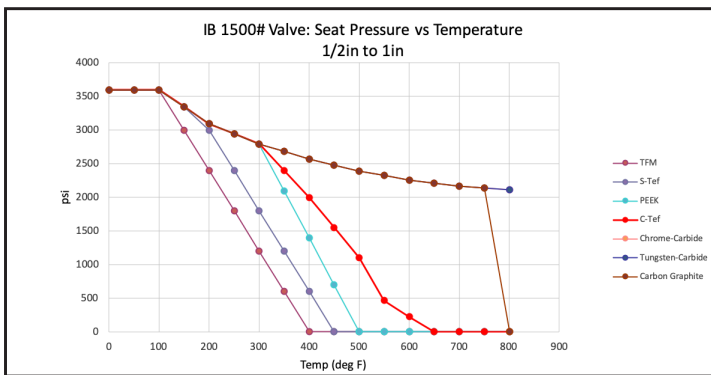
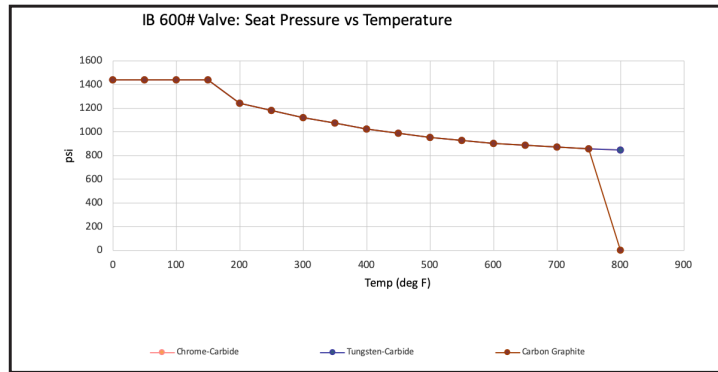
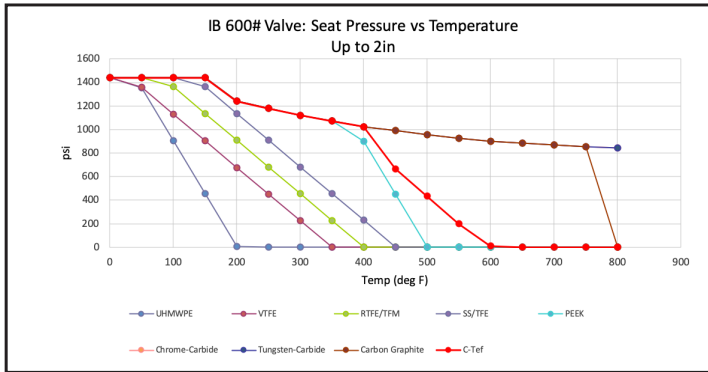
DESIGN FEATURES:

- End Connection design and fabrication flexibility
- **IB SERIES DBB VALVES MAY HAVE O-RINGS. CONSULT FACTORY.**
- Full and reduced port designs
- Customizable end connections
- Quarter turn operation
- Bleed or gauge ports available
- Bolted Body
- Tested to API-607 Fire Rated
- Braided Graphite Packing
- API-641 Low-E, standard
- Gear operated recommended for 1-1/2" and above



The high temperature valve version consists of carbide coating on the ball and seats.

SPECIFICATIONS	Bolted (IB Series) Instrument Valves
Sizes	1/2" - 2" up to CL1500, 1/2" - 3" up to CL600, 1/2" - 6" up to CL300
Material	316 Stainless Steel, Hastelloys, Duplex SS, Carbon Steels, Monel or others
Temperatures	Ambient to 800°F depending on material
End Connections	Thread Pipe, Butt weld, Socket Weld, Instrument Adapter Flange, Others
Seats & Seals	V-TEF™, C-TEF™, S-TEF®, PEEK®, Stellite, Tungsten or Chrome Carbide Coated S/S Balls & Seats
Stem Packing Material	Braided graphite, V-TEF™, C-TEF™ or S-TEF®, API-622 Low-E Stem Packing Standard
Maximum Working Pressure	Maximum CWP depends on class and valve material of construction per ASME B16.34



How To Order:

PRODUCT (1-2) MATERIAL (3-4)	TYPE/CLASS (5) SERIES (6)	1ST END CONN. TYPE (7)	2ND END CONN. TYPE (8)	SEAT/SEAL (9)	HP		LP		BLEED/GAUGE/PORT OPTIONS (12)	OPERATOR OPTIONS (13-14)
					UPSTREAM	DOWNSTREAM	UPSTREAM	DOWNSTREAM		
IB H = 316 S/S Body & End Conn. HH = 316H (High Temp) S/S Body & End Conn. E7 = A-105 Carbon Steel Body & End Connections C = Hastelloy C-276 Body & End Connections C1 = Hastelloy B-2 Body & End Connections Y = Hastelloy C-22 Body & End Connections M = Monel Body & End Connections P = AL6XN Body & End Connections 22 = Duplex 2205 Body & End Connections 25 = 254 SMO 6 Moly Body & End Connections F9 = A182 Gr. F9 Carbon Steel Body & End Conn.	M = 600# Class N = 900# Class O = 1500# Class	B = Ext. Butt weld Sch. 40 D = Ext. Butt weld Sch. 10 L = RF Flange N = Extended Male NPT P = Male NPT Q = Female NPT R = Extended Female NPT S = Female Comp. Thread * J = Ext. Female Socket Weld V = Ext. Male Socket Weld W = RTJ Flange	B = Ext. Butt weld Sch. 40 D = Ext. Butt weld Sch. 10 L = RF Flange N = Extended Male NPT P = Male NPT Q = Female NPT R = Extended Female NPT S = Female Comp. Thread * J = Ext. Female Socket Weld V = Ext. Male Socket Weld W = RTJ Flange	G = V-TEF™ / Graphite / FKM H = S-TEF® / Graphite / FKM N = PEEK / Graphite / Kalrez Q = Carbon Graphite / Graphite - 750° F. S = Stellite Ball & Seats / Graphite Seals - 800° F. Max. T = Tungsten Carb. Old Ball & Seats / Graphite Seals - 800° F. Max. U = Chrome Carb. Old Ball & Seats / Graphite Seals - 800° F. Max. Y = C-TEF™ / Graphite / (FKM 1-1/2"-2")	1 = 1/2 inch, Full Port E = 3/4 inch, Full Port 4 = 1 inch, Full Port G = 1-1/2 inch, Full Port H = 2 inch, Full Port	1 = 1/2 inch, Full Port E = 3/4 inch, Full Port 4 = 1 inch, Full Port G = 1-1/2 inch, Full Port H = 2 inch, Full Port	A = 1/4" FNPT Bleed Port 90° from Stem B = 1/4" FNPT Bleed Port 180° from Stem C = 3/8" FNPT Bleed Port 90° from Stem D = 3/8" FNPT Bleed Port 180° from Stem E = 1/2" FNPT Bleed Port 90° from Stem F = 1/2" FNPT Bleed Port 180° from Stem G = 3/4" FNPT Bleed Port 90° from Stem H = 3/4" FNPT Bleed Port 180° from Stem I = 1/2" Socket Weld Bleed Port 180° from Stem K = 1/4" Socket Weld Bleed Port 180° from Stem L = 3/8" Socket Weld Bleed Port 90° from Stem M = 3/8" Socket Weld Bleed Port 180° from Stem N = 1/2" Socket Weld Bleed Port 90° from Stem O = 1/2" Socket Weld Bleed Port 180° from Stem Q = 1/4" Socket Weld Bleed Port 90° from Stem R = 3/4" Socket Weld Bleed Port 180° from Stem	1 = Manual Lever Handle 02 = W/O Handle, Stem Prep for Automation 04 = Manual Locking Lever Handle 06 = Gear operator 17 = Extended Lockable Lever Handle 20 = 80 PSIG Double Acting Actuator 27 = 60 PSIG Double Acting Actuator 34 = 60 PSIG Spring Return Actuator 41 = 60 PSIG Spring Return Actuator		

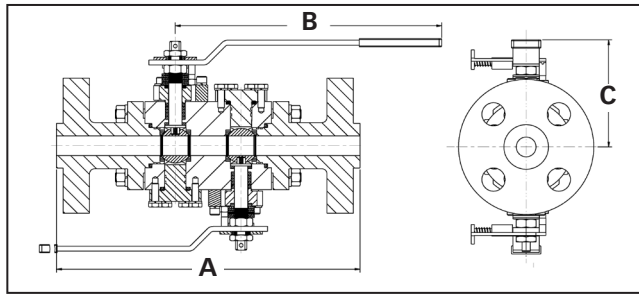
Note: Other materials of construction available.

* Ferrules Not Included
Note: Other end connection types available.

Valves seal HP to LP.
Consult PBM for other configurations.

IMI PBM IB SERIES DOUBLE BLOCK & BLEED VALVES

Double Block & Bleed with Locking Handle



Valve Size	RF Flanged End Connections														
	A					B					C				
	ASME CLASS					ASME CLASS					ASME CLASS				
	CL150	CL300	CL600	CL900	CL1500	CL150	CL300	CL600	CL900	CL1500	CL150	CL300	CL600	CL900	CL1500
1/2"	7.00	8.80	8.25	10.25	10.25	4.20	4.20	3.50	3.50	3.50	2.60	2.70	3.00	3.00	3.00
3/4"	7.80	9.50	10.00	11.50	11.50	4.20	6.00	10.10	10.10	10.10	2.80	2.80	4.10	4.10	4.10
1"	9.00	9.90	11.00	12.50	12.50	5.10	5.10	14.10	14.10	14.10	3.00	4.00	4.80	4.80	4.80
1-1/2"	12.00	13.30	13.00	15.75	15.75	10.20	8.00	18.10	24.10	24.10	5.10	4.10	5.80	7.20	7.20
2"	13.40	14.80	15.25	18.75	18.75	10.90	8.00	18.10	24.10	24.10	5.40	6.50	6.10	7.40	7.40
3"	12.54	19.50	22.00			12.10	12.00	18.00			6.90	10.10	12.70		
4"	15.00	19.00				12.10	12.00				6.90	10.20			
6"	24.30	25.10				24.00	24.00				15.00	15.00			

Valve Size	RJT Flanged End Connections														
	A					B					C				
	ASME CLASS					ASME CLASS					ASME CLASS				
	CL150	CL300	CL600	CL900	CL1500	CL150	CL300	CL600	CL900	CL1500	CL150	CL300	CL600	CL900	CL1500
1/2"	7.00	8.80	8.25	10.25	10.25	4.20	4.20	3.50	3.50	3.50	2.60	2.70	3.00	3.00	3.00
3/4"	7.80	9.50	10.00	11.50	11.50	4.20	6.00	10.10	10.10	10.10	2.80	2.80	4.10	4.10	4.10
1"	9.00	9.90	11.00	12.50	12.50	5.10	5.10	14.10	14.10	14.10	3.00	4.00	4.80	4.80	4.80
1-1/2"	12.00	13.30	13.00	15.75	15.75	10.20	8.00	18.10	24.10	24.10	5.10	4.10	5.80	7.20	7.20
2"	13.40	14.80	15.25	18.75	18.75	10.90	8.00	18.10	24.10	24.10	5.40	6.50	6.10	7.40	7.40
3"	12.54	19.50	22.00			12.10	12.00	18.00			6.90	10.10	12.70		
4"	15.00	19.00				12.10	12.00				6.90	10.20			
6"	24.32	25.06				24.00	24.00				15.00	15.00			

Valve Size	Extended Socket Weld														
	A					B					C				
	ASME CLASS					ASME CLASS					ASME CLASS				
	CL150	CL300	CL600	CL900	CL1500	CL150	CL300	CL600	CL900	CL1500	CL150	CL300	CL600	CL900	CL1500
1/2"	7.00	8.80	8.25	10.25	10.25	4.20	4.20	3.50	3.50	3.50	2.60	2.70	3.00	3.00	3.00
3/4"	7.80	9.50	11.60	11.60	11.60	4.20	6.00	10.10	10.10	10.10	2.80	2.80	4.10	4.10	4.10
1"	9.00	9.90	12.60	12.60	12.60	5.10	5.10	14.10	14.10	14.10	3.00	4.00	4.80	4.80	4.80
1-1/2"	12.00	13.30	15.60	14.75	14.75	10.20	8.00	18.10	24.10	24.10	5.10	4.10	5.80	7.20	7.20
2"	13.40	14.80	17.10	19.60	19.60	10.90	8.00	18.10	24.10	24.10	5.40	6.50	6.10	7.40	7.40
3"	12.54	19.50	22.00			12.10	12.00	18.00			6.90	10.10	12.70		
4"	15.00	19.00				12.10	12.00				6.90	10.20			
6"	24.30	25.10				24.00	24.00				15.00	15.00			

Valve Size	Extended Butt Weld														
	A					B					C				
	ASME CLASS					ASME CLASS					ASME CLASS				
	CL150	CL300	CL600	CL900	CL1500	CL150	CL300	CL600	CL900	CL1500	CL150	CL300	CL600	CL900	CL1500
1/2"	7.00	8.80	8.30	10.30	10.30	4.20	4.20	3.50	3.50	3.50	2.60	2.70	3.00	3.00	3.00
3/4"	7.80	9.50	11.60	11.60	11.60	4.20	6.00	10.10	10.10	10.10	2.80	2.80	4.10	4.10	4.10
1"	9.00	9.90	12.60	12.60	12.60	5.10	5.10	14.10	14.10	14.10	3.00	4.00	4.80	4.80	4.80
1-1/2"	12.00	13.30	15.60	14.80	14.80	10.20	8.00	18.10	24.10	24.10	5.10	4.10	5.80	7.20	7.20
2"	13.40	14.80	17.10	19.60	19.60	10.90	8.00	18.10	24.10	24.10	5.40	6.50	6.10	7.40	7.40
3"	12.50	19.50	22.00			12.10	12.00	18.00			6.90	10.10	12.70		
4"	15.00	19.00				12.10	12.00				6.90	10.20			
6"	24.30	25.10				24.00	24.00				15.00	15.00			

Valve Size	Female End Connection														
	A					B					C				
	ASME CLASS					ASME CLASS					ASME CLASS				
	CL150	CL300	CL600	CL900	CL1500	CL150	CL300	CL600	CL900	CL1500	CL150	CL300	CL600	CL900	CL1500
1/2"	4.90	4.90	6.50	6.50	6.50	4.20	4.20	3.50	3.50	3.50	2.60	2.70	3.00	3.00	3.00
3/4"	5.90	5.90	8.00	8.00	8.00	4.20	6.00	10.10	10.10	10.10	2.80	2.80	4.10	4.10	4.10
1"	6.80	6.80	8.50	8.50	8.50	5.10	5.10	14.10	14.10	14.10	3.00	4.00	4.80	4.80	4.80
1-1/2"	9.00	9.00	10.00	11.30	11.30	10.20	8.00	18.10	24.10	24.10	5.10	4.10	5.80	7.20	7.20
2"	9.80	9.80	11.80	14.30	14.30	10.90	8.00	18.10	24.10	24.10	5.40	6.50	6.10	7.40	7.40
3"	15.50	15.50				12.10	12.00				6.90	10.10			
4"	20.50	20.50				12.10	12.00				6.90	10.20			
6"															

www.PBMValve.com

PBM, Inc. • 1070 Sandy Hill Road, Irwin, PA 15642

Phone: 800.967.4PBM • 724.863.0550

E-mail: info.pbmvalve@imi-critical.com

