

IMI PBM FIRE RATED TANK BOTTOM VALVE

Industrial Tank Bottom Series 6, 1/2" - 3"



DESIGN FEATURES:

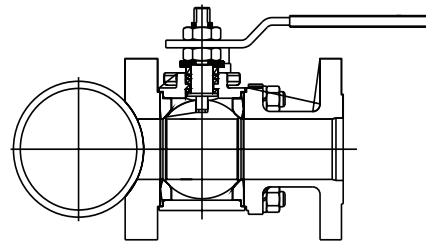
- Fire Rated, tested to API-607
- **FT Series Fire Rated Tank Bottom valves have o-rings.**
- Valves shall be a three-piece "swing-out" body design.
- Valves meet ASME B16.34 in appropriate materials and ends.
- Pad radius facilitates efficient drainage and reduces the pocket area above the ball.
- Upstream and downstream bubble-tight sealing capability allows valve body cleaning, purging, and draining.
- Stem assembly accommodates IMI PBM Direct Mount Actuation for accurate alignment and increased cycling life.
- Available in Angle Stem versions for applications where automation may interfere with tank head or jacket.
- Valves are rated for full vacuum.
- Standard bottom-entry stem provides protection from inadvertent stem removal. Engagement between the slot and ball is specially designed for high torque applications.



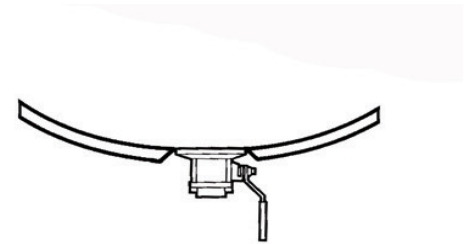
SPECIFICATIONS	2-Way Fire Rated Tank Bottom Valves
Sizes	1/2" - 3" depending on series
Material	316L, (ASTM A351 CF3M), Hastelloy® C276 and other ASME B16.34 materials
Temperatures	Ambient for V-TEF™ to 400° F, S-TEF® to 450°F
End Connections	Buttweld, Flange, NPT, Socket Weld, others
Seats & Seals	White V-TEF™ standard, others available
Stem Packing Material	V-TEF™ or S-TEF® Seats, Graphite seals, O-rings (EPR, Viton standard)
Body Bolts & Nuts	18-8 Stainless Steel, Fully encapsulated
Maximum Working Pressure	up to 700 psig depending on valve series, size and temperatures
Temperatures	Ambient for V-TEF™ to 400° F, S-TEF® to 450°F

CV Values (gpm), FT Series 6	
Size	End Connection
1/2"	14
3/4"	42
1"	70
1-1/2"	190
2"	370
3"	900

Custom pads for special applications



Cylindrical radius pads or reduced pocket cylindrical radius pads accommodate customer-specified or existing valve products.



Spherical radius pads or reduced pocket spherical radius pads facilitate efficient drainage and reduces the pocket area above the ball.

How To Order:

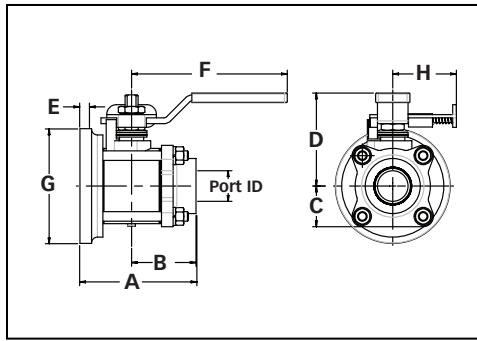
PRODUCT (1-2)	SIZE (5)	END CONN.	SEAT & SEAL	Weld Pad	BALL & STEM	OPERATOR	POLISH		
MATERIAL (3-4)	SERIES (6)	(7-8)	(9)	(10-11)	(12)	(13-14)	(15-16)		
FT	H- Cast 316/316L S / S	C 1/2"	6	B- Sch. 40 Butt Weld	G V-TEF™ Seats / Graphite Seals FKM O-Rings	-- Standard Weld Pad	- Standard Ball and Stem	-- W/ Standard Lever Handle	- 125 Ra ID Standard
	HL Cast 316L S / S	D 3/4"	D- Sch. 10 Butt Weld	J V-TEF™ Seats / Graphite Seals / VTFE Cav Fill / FKM O-Rings	02 w/o weld pad w/ shipping pad	G 17-4PH Stem	02 W/O Handle W/ Stem Actuator Prep	A 20 Ra ID	
	C- Hastelloy C-276	E 1"	L- 150# Flange	Z V-TEF™ Seats / Graphite Seals EPR O-Rings	Other Weld Pad Options available - Contact PBM.	04 Locking Lever Handle	C 20 Ra ID / 32 Ra OD		
		G 1-1/2"	M- 300# Flange	2 V-TEF™ Seats / Graphite Seals / VTFE Cav Fill / EPR O-Rings		18 Extended Handle (1/2" thru 3")	F 20 Ra ID after Electro Polish		
	Y- Hastelloy C-22	H 2"	Q- Female NPT	H S-TEF® Seats / Graphite Seals / FKM O-Rings		20 DA 80psig actuator	More polish available - Contact PBM.		
	P- AL6XN	K 3"	U- Socket Weld	0 S-TEF® Seats / Graphite Seals / EPR O-Rings		27 DA 60psig actuator			
				9 V-TEF™ Seats / Seals FEP Encaps. FKM O-Rings	34 SR 80psig actuator	41 SR 60psig actuator	Other operator options available - Contact PBM.		

<http://pbmvalve.com/build-a-part-number>

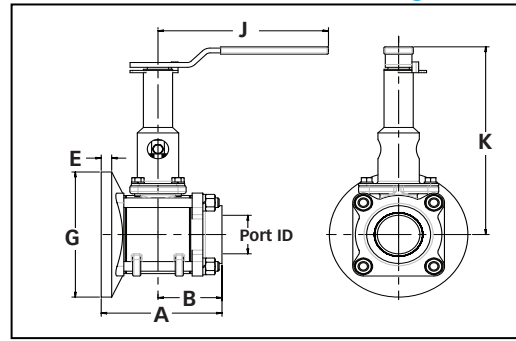
Other Seat/seal options available - contact PBM.

IMI PBM Fire Rated Flush Tank Series 6 Manual

Flush Tank Valve with Locking Handle



Flush Tank Valve with Ext. Locking Handle

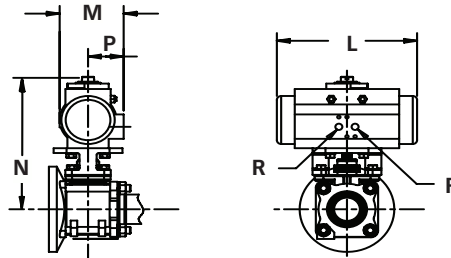


Flush Tank Fire Rated Valve Dimensioned Valves in inches

Valve Size	Size Code	I.D. Port	A		B		ϕ to Bottom	ϕ to Top	Pad Thick.	Length from ϕ	Pad Dia.	End Fitting	Locking Handle		Ext Lock Handle		Approx Weight	
			Q-	L-	Q-	L-	C	D					Q-	Hole Dia.	J	K	Q-	L-
1/2"	C	0.5	2.83	4.02	1.56	2.75	0.98	2.63	0.28	4.15	2.75	3.50	2.75	.25	7.19	5.09	2 lbs.	3 lbs.
3/4"	D	0.75	3.07	4.23	1.72	2.88	1	2.78	0.31	4.15	3	3.88	3	.25	7.19	5.09	2.5 lbs.	4 lbs.
1"	E	1.00	3.84	4.96	2.13	3.25	1.33	3.1	0.32	5.09	3.75	4.25	3.75	.28	7.34	5.09	5 lbs.	7 lbs.
1-1/2"	G	1.5	5.07	6.32	2.75	4.00	1.78	4.41	0.46	8.68	5.5	5.00	5.5	.38	7.62	5.09	13 lbs.	16 lbs.
2"	H	2.0	5.66	7.54	3.00	4.88	2.2	4.7	0.49	8.68	6.5	6.00	6.5	.38	9.76	8.00	19 lbs.	25 lbs.
3"	K	3.0	8.38	10.26	4.50	6.38	3.1	6.78	0.77	12.44	9	7.50	9	.38	11.69	12.06	57 lbs.	68 lbs.

ACTUATED DIMENSIONS

Unit of Measure = inches
Dimensions based on actuators used with V-TEF™ seats.



Size	80 PSI Double Acting					60 PSI Double Acting					80 PSI Spring Return					60 PSI Spring Return				
	L	M	N	P	R	L	M	N	P	R	L	M	N	P	R	L	M	N	P	R
1/2"	5.55	2.79	5.84	1.61	1/8	6.46	3.17	6.29	1.77	1/8	5.55	2.79	5.84	1.61	1/8	5.55	2.79	5.84	1.61	1/8
3/4"	6.46	3.17	6.44	1.77	1/8	6.46	3.17	6.44	1.77	1/8	5.55	2.79	5.99	1.61	1/8	5.55	2.79	5.99	1.61	1/8
1"	8.27	3.72	7.80	2.07	1/8	8.27	3.72	7.80	2.07	1/8	5.55	2.79	6.64	1.61	1/8	5.55	2.79	6.64	1.61	1/8
1-1/2"	10.83	4.85	10.16	2.68	1/4	10.83	4.85	10.16	2.68	1/4	6.46	3.17	8.39	1.77	1/8	8.27	3.72	9.10	2.07	1/8
2"	10.83	4.85	10.47	2.68	1/4	13.12	5.39	11.82	2.87	1/4	8.27	3.72	9.42	2.07	1/8	8.27	3.72	9.42	2.07	1/8
2-1/2"	13.12	5.39	13.48	2.87	1/4	14.65	5.83	13.96	3.15	1/4	13.12	5.39	13.48	2.87	1/4	13.12	5.39	13.48	2.87	1/4
3"	14.65	5.83	14.29	3.15	1/4	17.13	6.46	15.16	3.44	1/4	13.12	5.39	13.81	2.87	1/4	13.12	5.39	13.81	2.87	1/4